

NOTES:

1. GROUND HYDRANT BY ZURN ENGINEER SOLUTIONS, MODEL NO. Z1390.
2. PROVIDE SHOP DRAWINGS.



Town of
East Gwillimbury

**GROUND HYDRANT
FOR WINTER USE**

STANDARD DETAIL

APPROVED COUNCIL

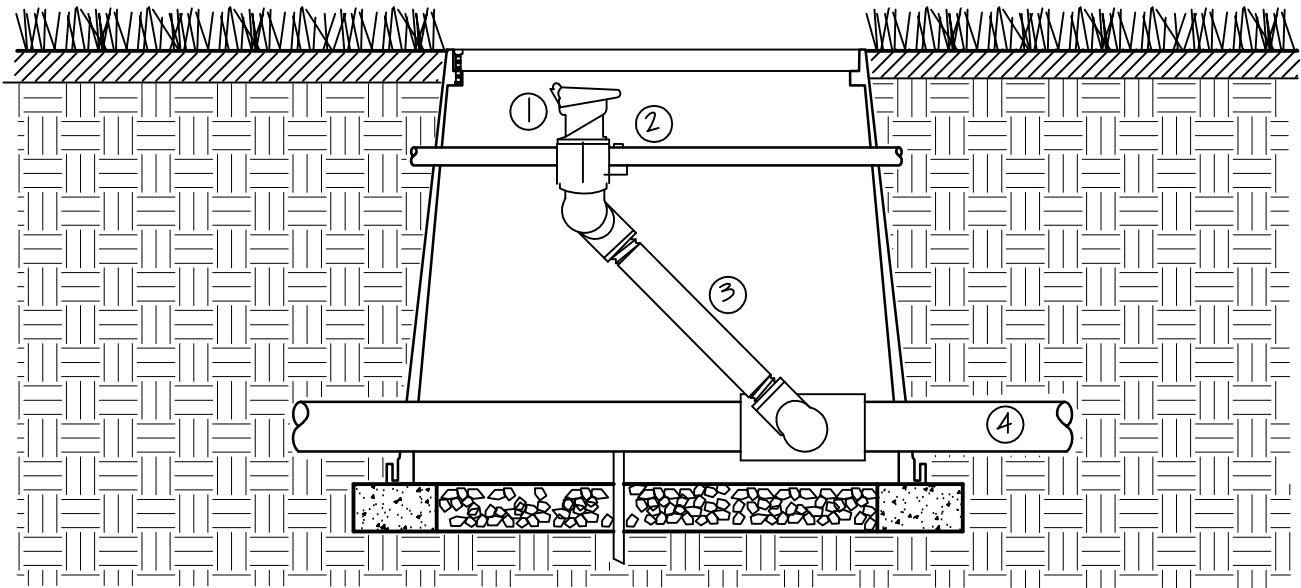
DWG. No.

REVISION No.

701

DATE **2009**

- ① QUICK COUPLER
- ② LASCO SNAPLOCK WITH REBARS AND 25mm PVC SUPPORTS
- ③ SWING ASSEMBLY
- ④ MAINLINE FEEDS



INSTALLATION NOTES:

- QUICK COUPLER TO BE ON SWING ASSEMBLY
- SUPPORT QUICK COUPLER WITH A LASCO SNAPLOCK
- USE 12mm REBAR AND 25mm SCHEDULE 80 PVC (200mm LONG PER SIDE) WITH LASCO SNAPLOCK
- DRILL HOLE FOR 1" PVC THROUGH VALVE BOX
- FILL BOTTOM OF VALVE BOX WITH 150mm OF 25mm GRAVEL
- SUPPORT VALVE BOX WITH BLOCKS FOR EXPECTED TRAFFIC



Town of
East Gwillimbury

**QUICK COUPLING
TURF VALVE**

STANDARD DETAIL

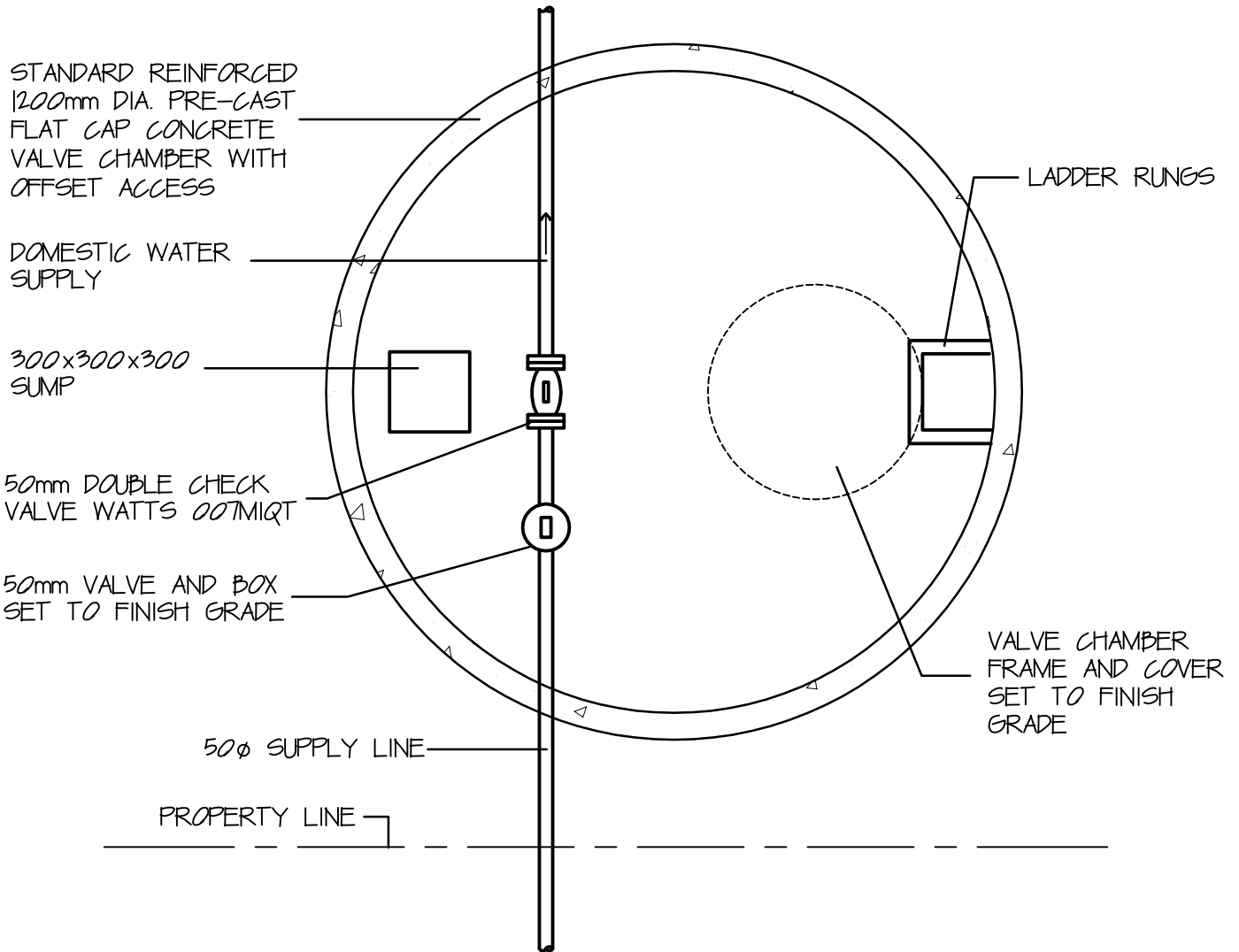
APPROVED COUNCIL

REVISION No.

DATE
2009

DWG. No.

702



NOTES:

1. VALVE CHAMBER EXCAVATION TO BE BACKFILLED WITH GRANULAR 'B'
2. CAP TO BE DRILLED FOR SLIDING ALE BOX TO BE SET AT GROUND LEVEL.
3. ALL PIPE PASSING THROUGH PRE-CAST CHAMBER WALLS TO BE SEALED WITH NON-SHRINKABLE MOTAR.
4. THE TOP OF VALVE BOXES AND CHAMBERS SHALL BE SET FLUSH WITH FINISH GRADE.
5. ALL WATER LINE SIZING TO BE CERTIFIED BY A CONSULTANT THAT THEY MEET ALL APPLICABLE CODES AND/OR LEGISLATION.
6. ALL ITEMS REFERENCED ARE TO BE CONFIRMED TO ALL CURRENT O.P.S.D. STANDARDS.



Town of
East Gwillimbury

VALVE CHAMBER

STANDARD DETAIL

APPROVED COUNCIL

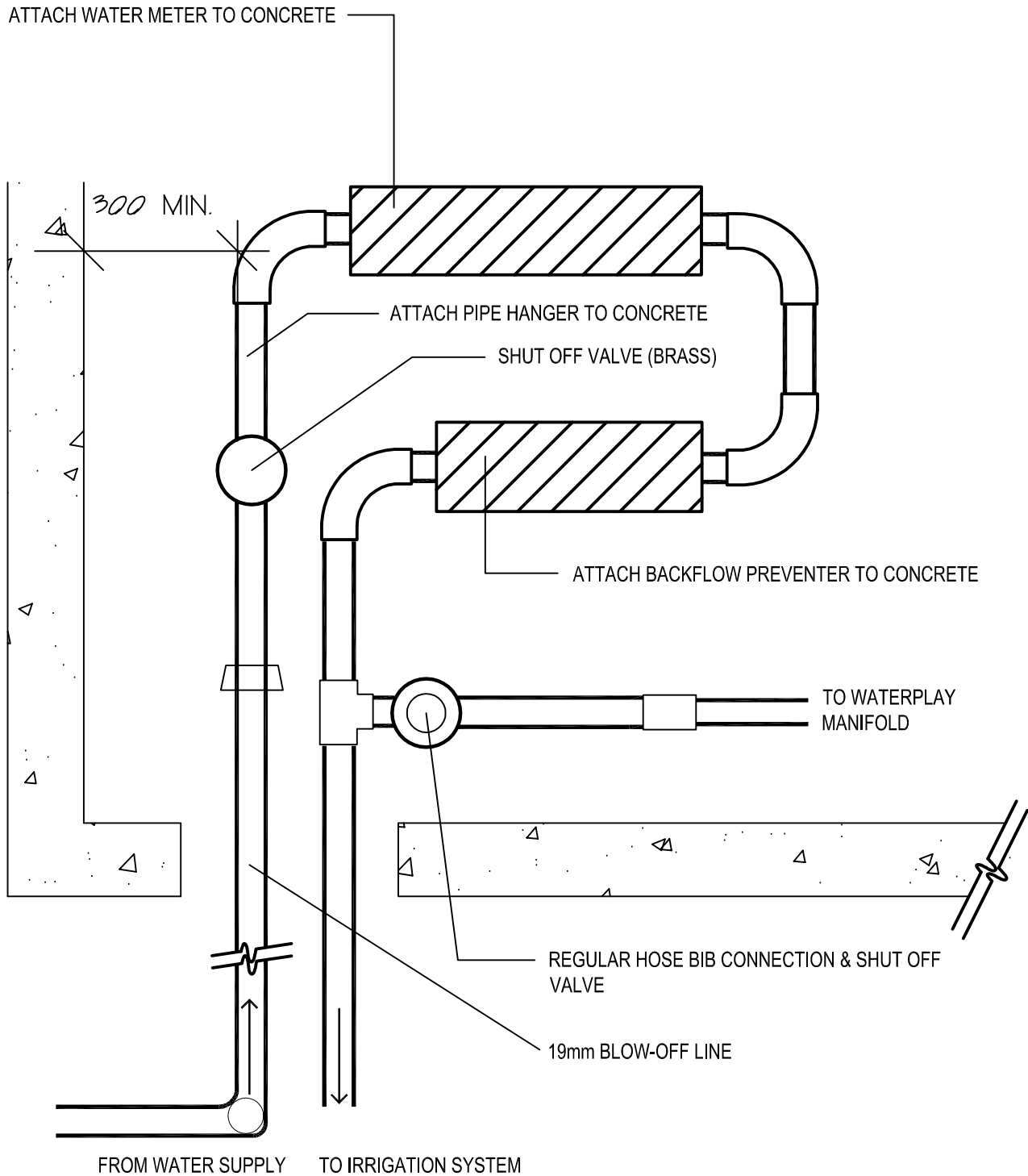
DWG. No.

REVISION No.

703

DATE

2009



Town of East Gwillimbury

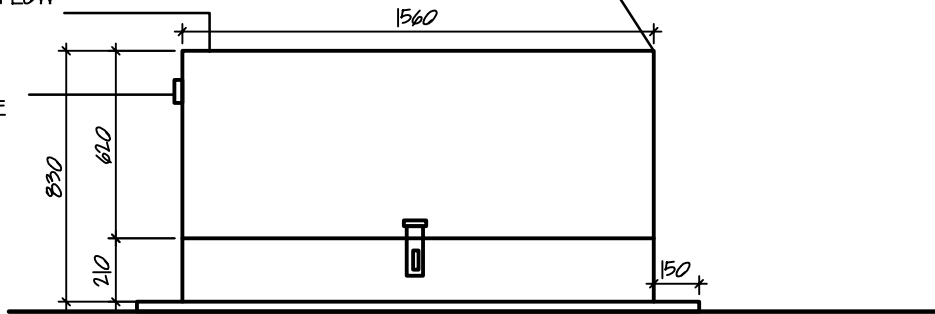
PROPOSED LAYOUT FOR METER AND BACK FLOW PREVENTER CHAMBER

STANDARD DETAIL		704
APPROVED	COUNCIL	
REVISION No.		
DATE	2009	

PAINTED METAL BACKFLOW ENCLOSURE

REMOTE METER READER AND WIRE

SMOOTH EXT. EDGES



BACKFLOW PREVENTOR FRONT ELEVATION

"L" BRACE HEAVY DUTY STAINLESS OR ALUMINUM WELDED TO LID EACH SIDE MIN. 200 LONG- 2 PER LID

LID ON EACH SIDE OPENS 90°

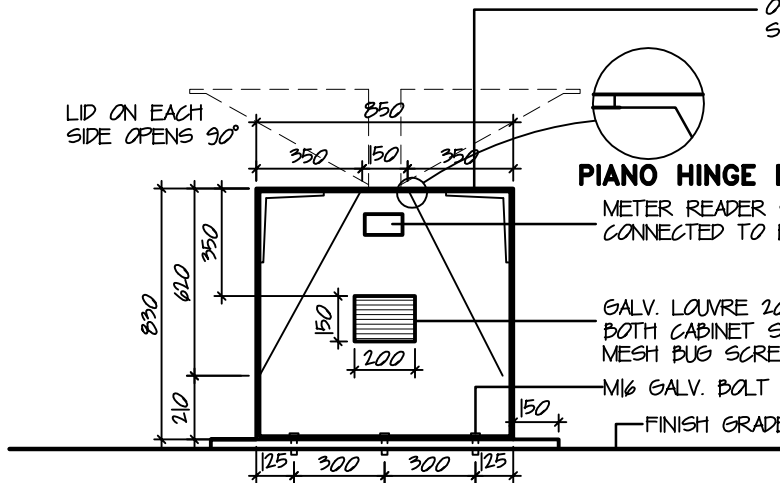
PIANO HINGE DETAIL

METER READER SECURELY CONNECTED TO EXTERIOR

GALV. LOUVRE 200x150 FORMED IN BOTH CABINET SIDES C/W SMALL MESH BUG SCREEN ON INTERIOR

M16 GALV. BOLT & WASHER

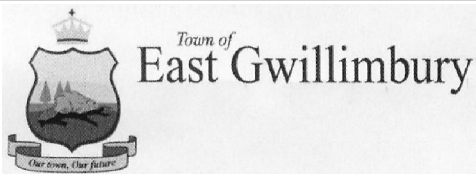
FINISH GRADE



BACKFLOW PREVENTOR SIDE ELEVATION

NOTES:

1. PROVIDE SHOP DRAWINGS FOR APPROVAL OF BACKFLOW PREVENTOR AND METER ASSEMBLY.
2. PROVIDE CONCRETE PAVING PAD 150 WIDER THAN CABINET DIMENSIONS.
3. LOCATION OF PAD MINIMUM 1000 FROM PROPERTY LINE OR AS PER DRAWING.
4. DRAIN AND COMPLETELY FLUSH SYSTEM IN THE FALL
5. PLUMBING DEPARTMENT REQUIRES A YEARLY SERVICE TEST ON THE BACKFLOW EQUIPMENT BY CERTIFIED BACKFLOW TESTER.
6. THE BACKFLOW ASSEMBLY IS REQUIRED TO BE INSTALLED BY A CERTIFIED PLUMBER AND APPROVED BY PLUMBING DEPT.
7. ALL FLANGES ARE BRASS.
8. COLOUR OF CABINET TO BE DETERMINED BY TOWN.

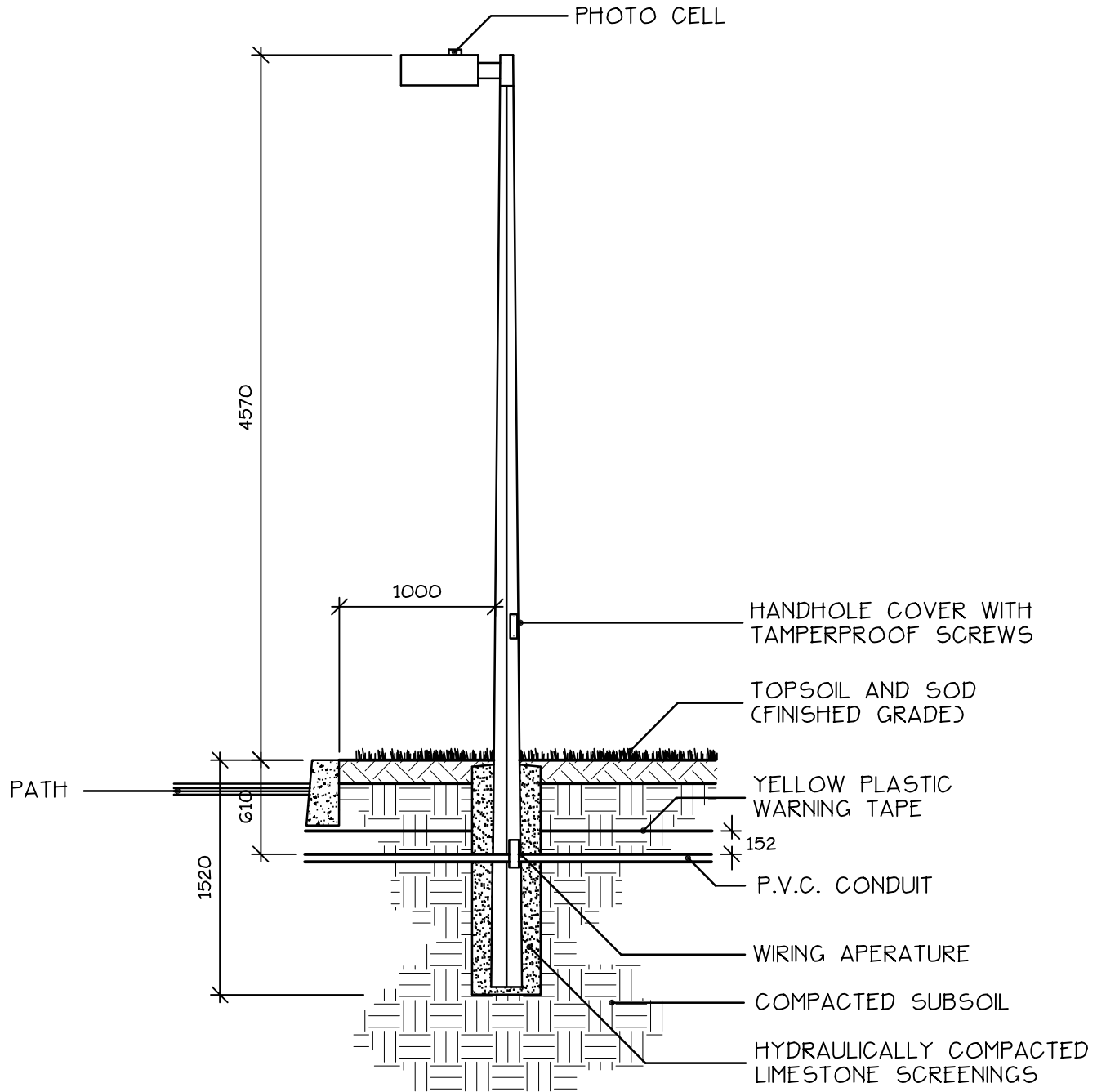


ABOVE-GRADE METER BOX

STANDARD DETAIL

APPROVED COUNCIL	DWG. No.
REVISION No.	705
DATE 2009	

ALL DIMENSIONS IN MILLIMETRES AND/OR METRES, DRAWING NOT TO SCALE



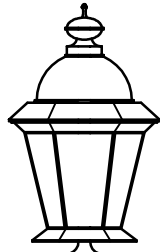
Town of
East Gwillimbury

**LIGHTING
WALKWAY POLE / FIXTURE**

STANDARD DETAIL

APPROVED	COUNCIL	DWG. No.
REVISION	No.	706
DATE	2009	

ALL DIMENSIONS IN MILLIMETRES AND/OR METRES, DRAWING NOT TO SCALE



LANTERN: 8030 CB 12
POLE: 1037 1
BASE COVER: 1190 1

PRODUCT SOURCE: SNOG INC.
TEL. 450-774-5238
FAX. 450-774-1954

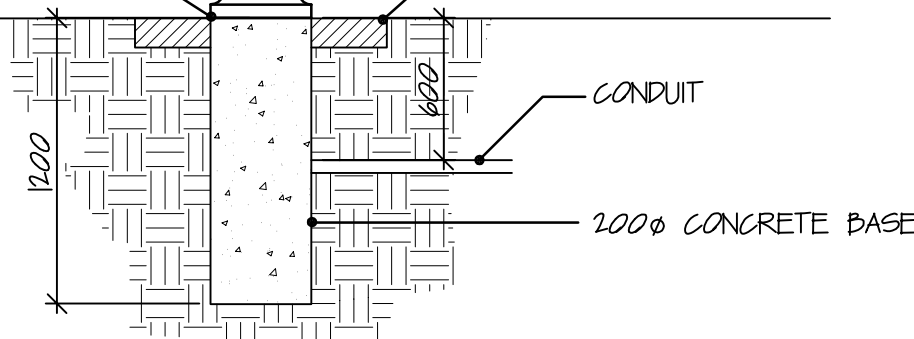
SUPPLIER: SUPREME LIGHTING,
MARKHAM, ONTARIO

150mm ANCHOR BOLTS
3 @ 120°

PAVING STONE EDGING

CONDUIT

200 ϕ CONCRETE BASE



Town of
East Gwillimbury

LIGHTING, DECORATIVE POLE AND FIXTURE

STANDARD DETAIL

APPROVED COUNCIL

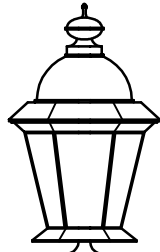
DWG. No.

REVISION No.

707

DATE **2009**

ALL DIMENSIONS IN MILLIMETRES AND/OR METRES, DRAWING NOT TO SCALE



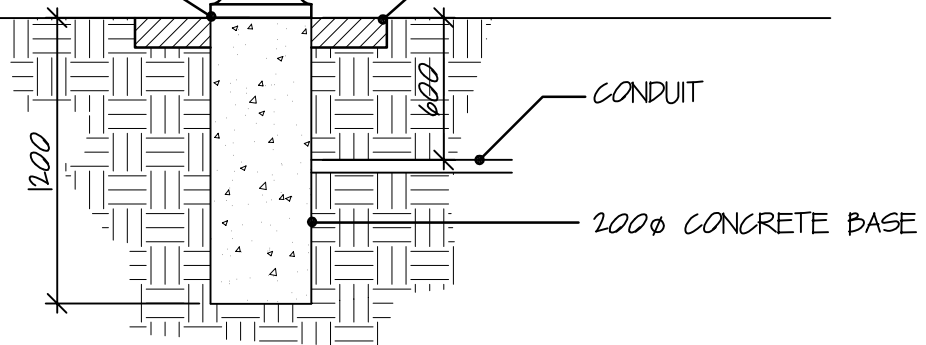
LANTERN: 8030 CB 12
POLE: 1037 1
BASE COVER: 1190 1

PRODUCT SOURCE: SNOG INC.
OR APPROVED EQUIVALENT.

SUPPLIER: SUPREME LIGHTING,
MARKHAM, ONTARIO
OR APPROVED EQUIVALENT.

150mm ANCHOR BOLTS
3 @ 120°

REFER TO LANDSCAPE PLAN
FOR ADJACENT SURFACE
TREATMENT.



CONDUIT

200φ CONCRETE BASE

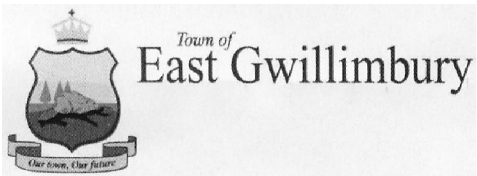
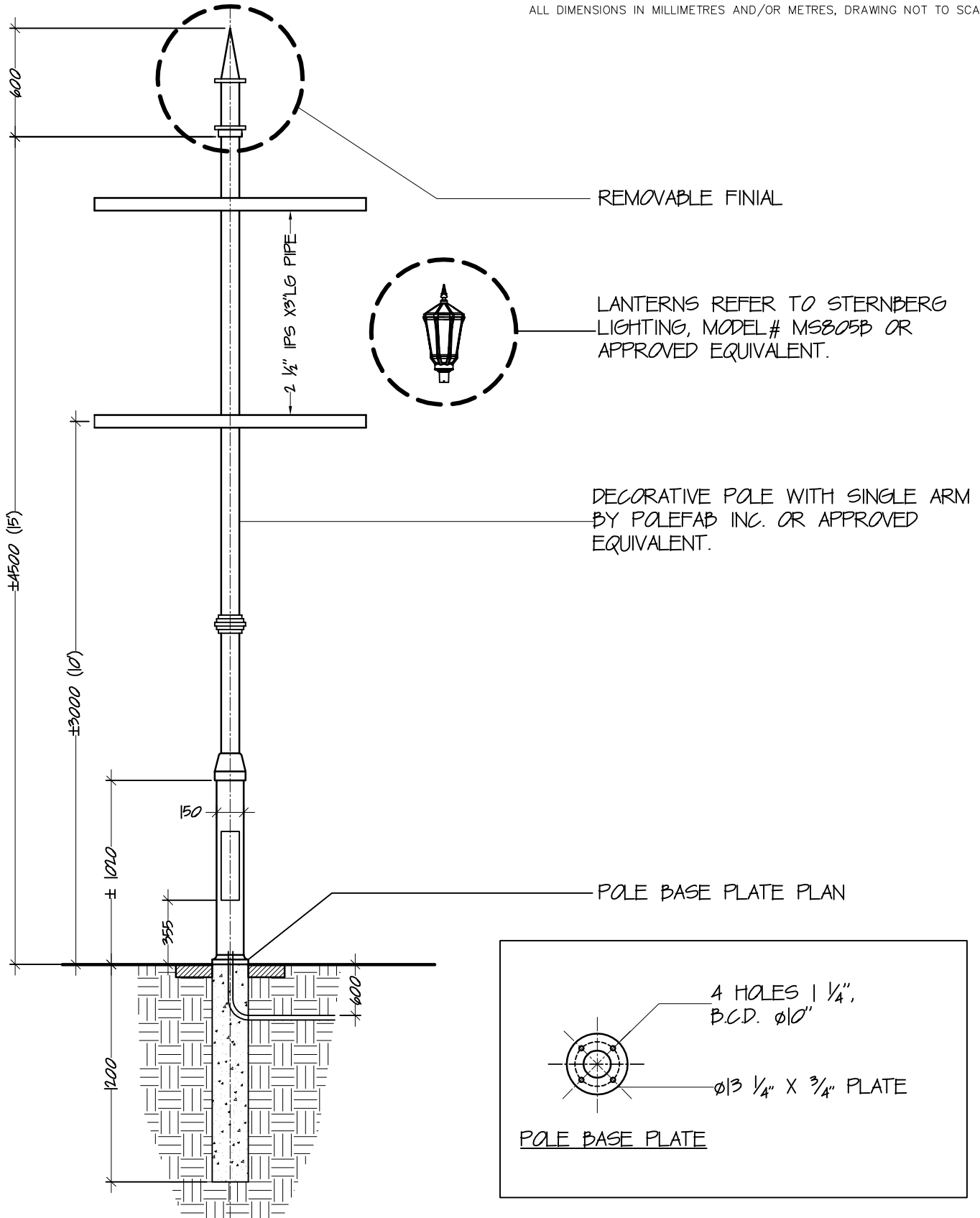


Town of
East Gwillimbury

LIGHTING, DECORATIVE POLE AND FIXTURE

STANDARD DETAIL

APPROVED	DWG. No.
REVISION No.	707
DATE 2009	



**LIGHTING, DECORATIVE
POLE WITH SINGLE ARM**

STANDARD DETAIL

APPROVED	DWG. No.
REVISION No.	708
DATE 2009	